



MICRO SWITCH

FREEPORT, ILLINOIS, U.S.A.
A DIVISION OF HONEYWELL

FED. MFG. CODE 91929

SWITCH-BASIC

CATALOG LISTING

V3-15

CK-A1500

V3-15

M

DRAWING NUMBER

1819

ISSUE

1816

1819

REVISIONS

A CO20189

M B F 11 MAY 65

B CO21688

M B F 3 OCT 66

C CO31509

R E R 22 JAN 73

D CO32395

K S W 24 FEB 76

E CO47241

G J W MAR 80

F CO56987

S M A 1 OCT 85

G CO74634

K D R 5 MAY 93

REPLACES

RELEASE NO.

20MAY65

18MAY65

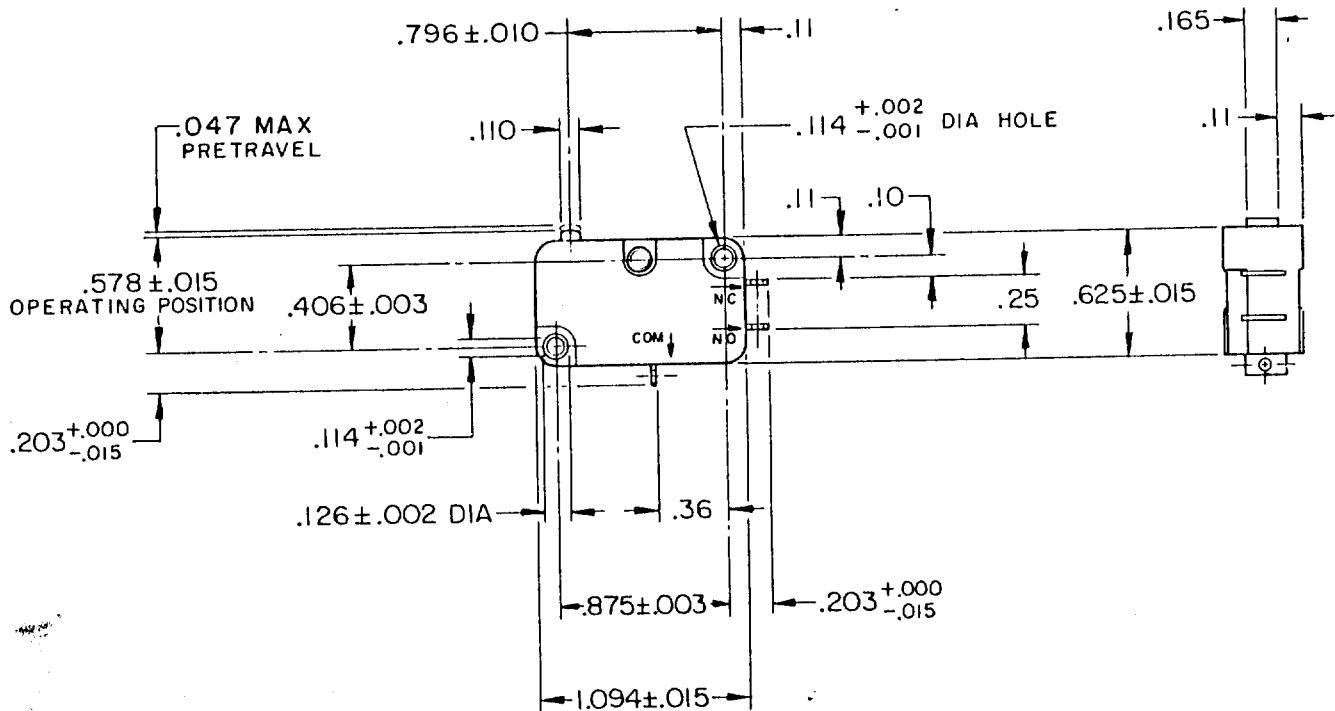
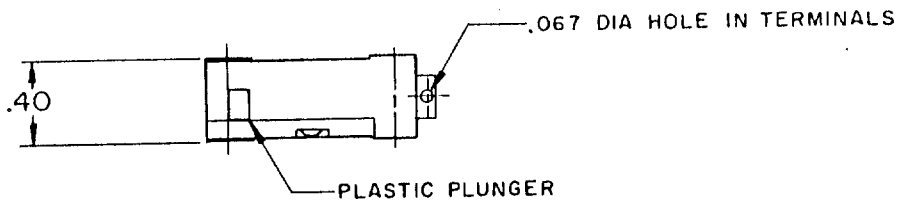
14MAY65

11MAY65

11MAY65

11MAY65

0-50378



- NOTE-
- 1 - TERMINALS ARE PLATED FOR SOLDERING
 - 2 - PLUNGER MATERIAL WILL WITHSTAND TEMPERATURE OF 300°F

THIS DRAWING COVERS A PROPRIETARY ITEM AND IS THE PROPERTY OF MICRO SWITCH, A DIVISION OF HONEYWELL. THIS DRAWING IS NOT TO BE COPIED OR USED WITHOUT THE APPROVAL OF MICRO SWITCH.

CHARACTERISTICS

OPERATING FORCE — — — — 6 - 14 OZ

RELEASE FORCE — — — — 4 OZ MIN

RELEASE TRAVEL — — — — .007 MIN

DIFFERENTIAL TRAVEL — — — .006 - .016

OVERTRAVEL — — — — .040 MIN

FREE POSITION — — — — .625 MAX

ELECTRICAL DATA

CONTACT ARRANGEMENT
S P D T

L83
15.1A 1/2HP 125 OR 250 VAC
1/2A 125 VDC, 1/4A 250 VDC
5A 125 VAC "L"



SCALE FULL

DO NOT SCALE PRINT

UNLESS OTHERWISE NOTED

DIMENSIONS ARE IN INCHES

TOLERANCES ARE:

ONE PLACE	(.0)	±.030
TWO PLACE	(.00)	±.015
THREE PLACE	(.000)	±.005
ANGLES		±

WEIGHT .015 LB